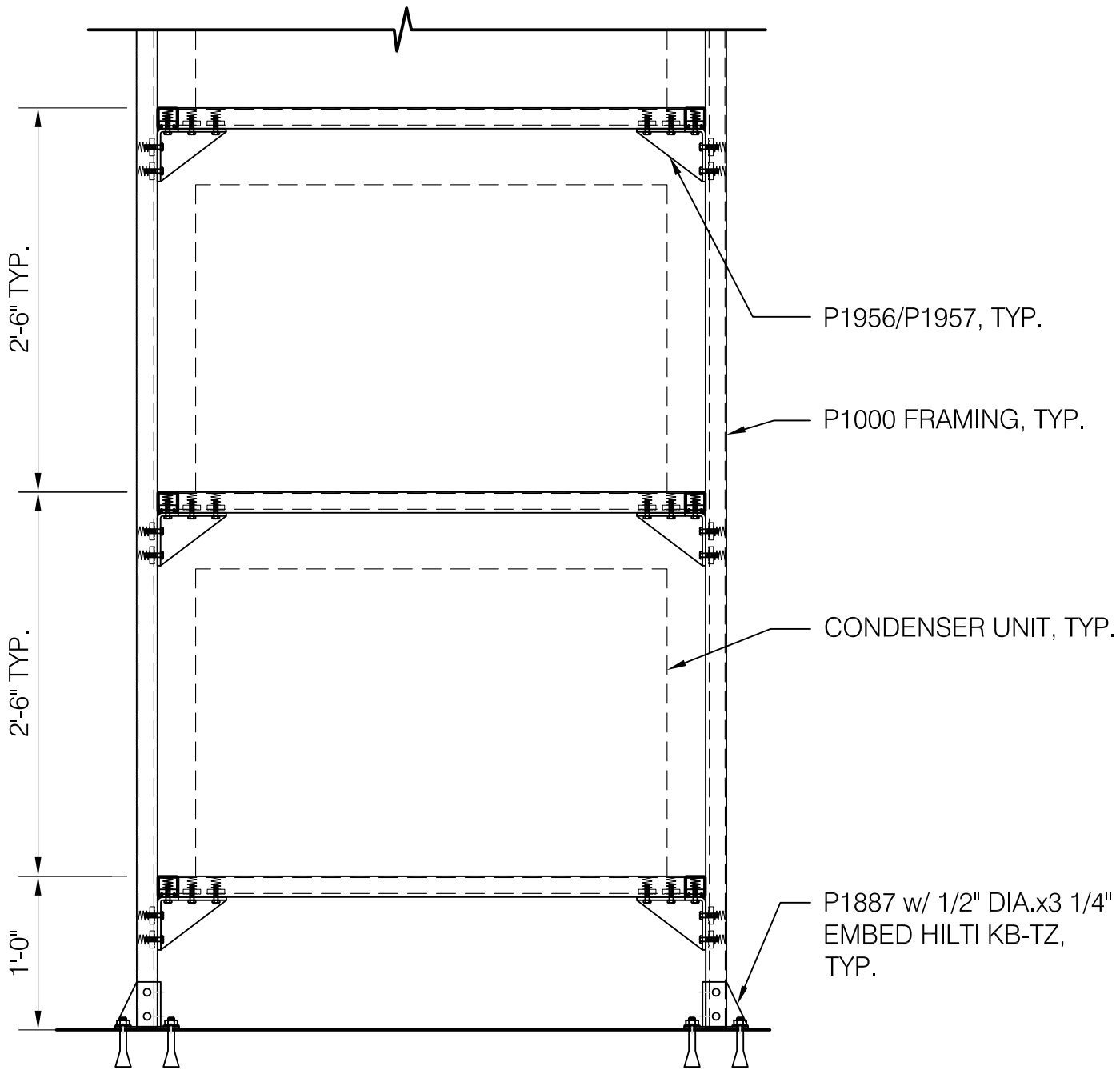


NOTE: PROVIDE BOLLARD PROTECTION AT OUTSIDE CORNERS OF RACK



0511

CONDENSER RACK

SCALE: 1" = 1'-0"