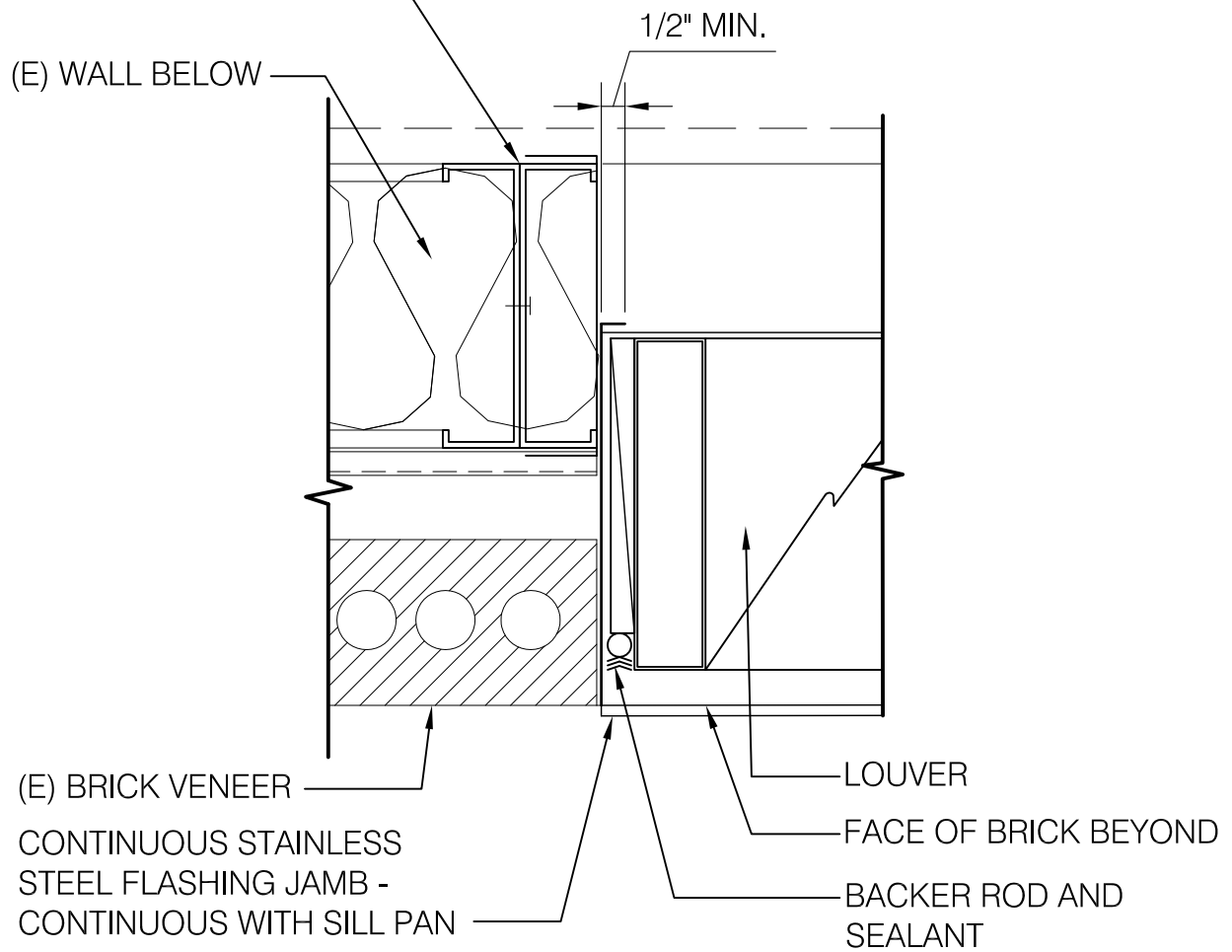


DOUBLE 6"-16 GA. STUD AT
JAMB. ADD 6"-16 GA. TRACK
AT LOUVER



0803 LOUVER JAMB
SCALE: 3" = 1'-0"